

Fig.	Item #	Hodaka Part #	Description	Amt.
A	1	902501A	Cylinder head	1
A	2	902503	Cylinder head nut	4
A	3	902504	Cylinder head washer	4
A	4	922502	Cylinder head gasket	1
A	5	922505	Cylinder	1
A	6	902506	Cylinder inlet stud	2
A	7	902508	Exhaust nut	1
A	8	902509	Exhaust nut gasket	1
A	9	922507	Cylinder base gasket	1
A	10	932000	Magneto cover assembly (11/40)	1

A	11	922001	Magneto cover	1
A	12	902004	Magneto cover grease nipple	1
A	13	908620	Plunger grease nipple	1
A	14	(62)03005	Plunger spring seat	1
A	15	902002	Shifter cover	1
A	16	(41)0410	Shifter cover screw	2
A	17	922021	Shifter guide	1
A	18	922022	Shifter arm	1
A	19	902020	Shifter pin	1
A	20	90202502	Shifter guide spacer t=0.2	1
A	20	90202503	Shifter guide spacer t=0.3	1
A	21	902023	Shifter sliding pin	1
A	22	904620	Shifter sliding pin snap ring	1
A	23	902026	Shifter arm adjust bolt	1
A	24	(63)06015	Shifter arm spring washer	1
A	25	(51)06055	Shifetr arm nut	1
A	26	902005	Foot change shaft	1
A	27	902009	Foot change shaft key	1
A	28	902010	Foot change shaft key pin	1
A	29	902011	Foot change shaft snap ring	1
A	30	912001R	Foot change ratchet	1
A	31	902012	Foot change ratchet spring	1
A	32	(25)0610	Foot change center screw	1
A	33	90201502	Foot change shaft washer t=0.2	1
A	33	90201503	Foot change shaft washer t=0.3	1
A	34	902014	Foot change shaft snap ring	1
A	35	902017	Foot change ratchet plunger	1
A	36	902018	Plunger spring	1
A	37	932029	Foot change inside cover	1
A	38	932030	Foot change inside cover gasket	1
A	39	(41)0510	Inside cover screw	6
A	40	(63)05013	Inside cover spring washer	6
A	41	902030	Foot change lever	1
A	42	902032	Foot change lever rubber	1
A	43	(10)0622	Foot change lever bolt	1
A	44	(63)06015	Foot change lever spring washer	1
A	45	(46)0645	Magneto cover screw	1
A	46	(46)0660	Magneto cover screw	2
A	47	921500	Clutch side cover assembly (48/52)	1
A	48	921501	Clutch side cover	1
A	49	901503	Clutch lever	1
A	50	901502	Clutch lever O ring	1
A	51	901504	Clutch lever rivet	1
A	52	901506	Kick crank shaft stop rubber	1
A	53	901507	Cutch pressure piece	1
A	54	901508	Clutch side cover gasket	1
A	55	921510	Oil gage	1
A	56	901511	Oil gage rubber gasket	1
A	57	(46)0660	Clutch side cover screw	3
A	58	(46)0640	Clutch side cover screw	1
A	59	811512	Clutch cable adjuster	1
A	60	922510	Engine complete overhaul gasket (A-4, 8, 9, 54, F-37, 41)	1 set

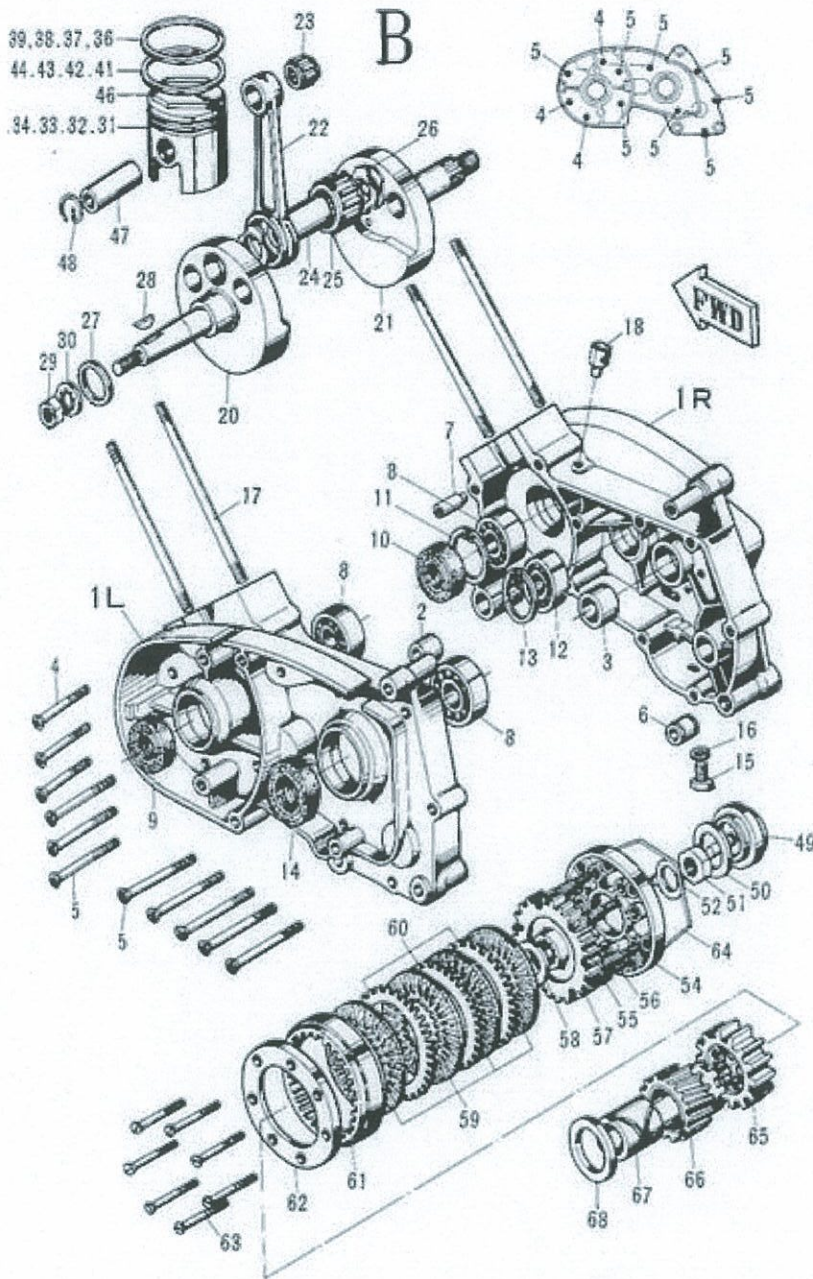


Fig.	Item #	Hodaka Part #	Description	Amt.
B	1	921001	Crank case assembly (L&R)	1
B	2	901011	Main shaft bushing	1
B	3	901004	Counter shaft bushing	1
B	4	(46)0640	Crank case screw	3
B	5	(46)0645	Crank case screw	8
B	6	901008	Crank case alignment dowl (large)	1
B	7	901009	Crank case alignment dowl (small)	1
B	8	BB6204	Ball bearing (#6204)	3
B	9	901010	Crank case oil seal (L)	1
B	10	901003	Crank case oil seal (R)	1