



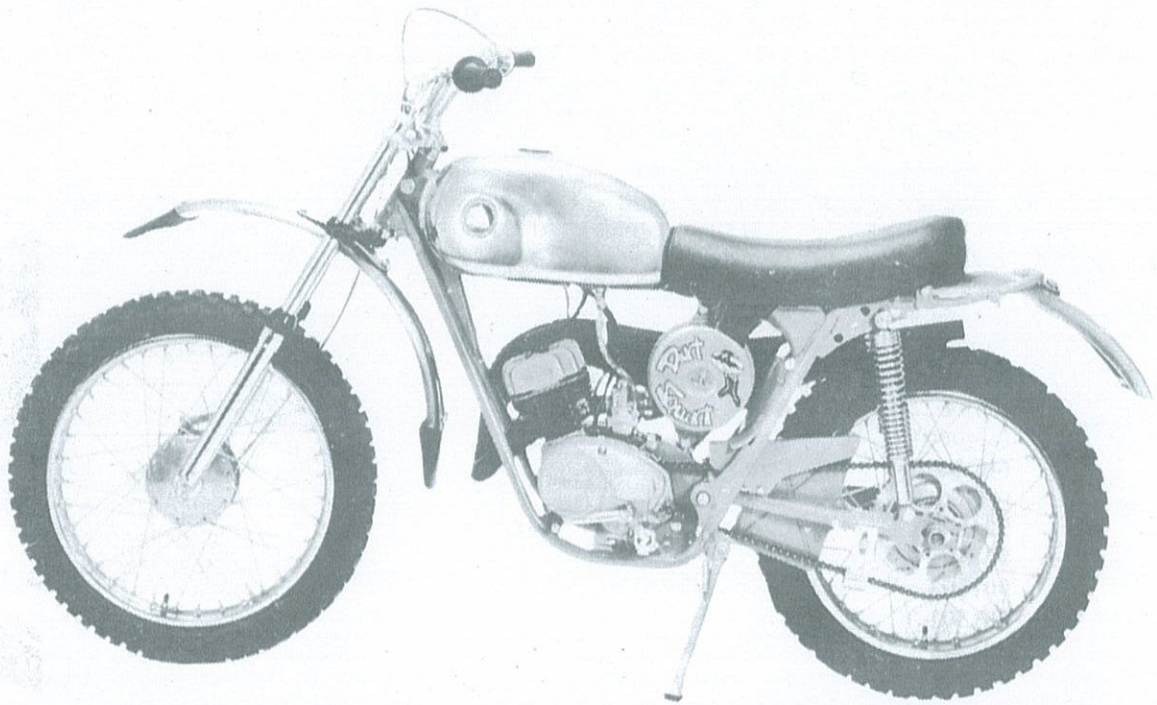
# **HODAKA**

## **100 DIRT SQUIRT**

### **OWNERS**

#### **Illustrated**

# **PARTS LIST**

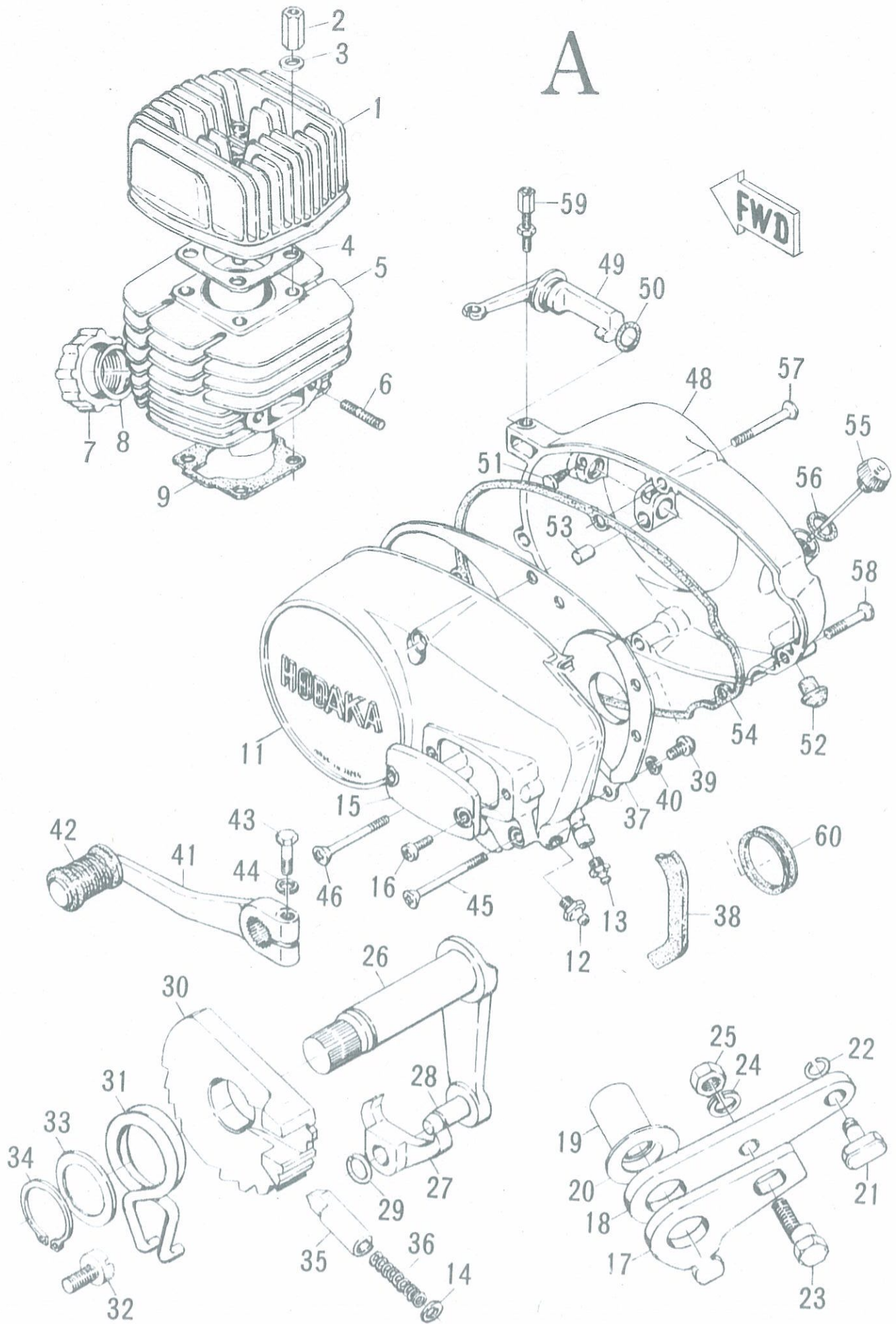


WORLD FINEST LIGHTWEIGHT MOTORCYCLE

| Fig. No. | Part No.  | Part Name  | Unit Q'ty |
|----------|-----------|--|-----------|
| A - 1    | 902501A   | Cylinder head  | 1         |
| - 2      | 902503    | Cylinder head nut (M7)                                   | 4         |
| - 3      | 902504    | Cylinder head washer                                     | 4         |
| - 4      | 922502    | Cylinder head gasket                                     | 1         |
| - 5      | 922505    | Cylinder   | 1         |
| - 6      | 902506    | Cylinder stud bolt (M6)                                  | 2         |
| - 7      | *902508   | Exhaust nut  | 1         |
| - 8      | *902509   | Exhaust gasket   | 1         |
| - 9      | 922507    | Cylinder base gasket                                     | 1         |
| -10      | 942000    | Magneto cover ass'y (11/40,60)                           | 1         |
| -11      | 942001    | Magneto cover  | 1         |
| -12      | 902004    | Magneto cover grease nipple (M12)                        | 1         |
| -13      | 908620    | Plunger grease nipple (1/8")                             | 1         |
| -14      | (62)03005 | Washer   | 1         |
| -15      | 812002    | Shifter cover  | 1         |
| -16      | (42)0410  | Screw  | 2         |
| -17      | 922021    | Shifter guide  | 1         |
| -18      | 922022    | Shifter arm  | 1         |
| -19      | 942020    | Shifter pin  | 1         |
| -20      | 90202502  | Shifter guide spacer 0.2t                                | 1         |
|          | 90202503  | Shifter guide spacer 0.3t                                | 1         |
| -21      | 902023    | Sliding pin  | 1         |
| -22      | 904620    | Snap ring  | 1         |
| -23      | 902026    | Adjust bolt  | 1         |
| -24      | (63)06015 | Spring washer  | 1         |
| -25      | (51)0605  | Nut  | 1         |
| -26      | 902005    | Foot change shaft  | 1         |
| -27      | 902009    | Foot change shaft key                                    | 1         |
| -28      | 902010    | Foot change shaft key pin                                | 1         |
| -29      | 902011    | Foot change shaft snap ring                              | 1         |
| -30      | 942008    | Foot change ratchet                                      | 1         |
| -31      | 902012    | Ratchet spring   | 1         |
| -32      | 922013    | Center screw (M6)  | 1         |
| -33      | 90201502  | Foot change shaft washer 0.2t                            | 1         |
|          | 90201503  | Foot change shaft washer 0.3t                            | 1         |
| -34      | (90)1401  | Snap ring  | 1         |
| -35      | 902017    | Ratchet plunger  | 1         |
| -36      | 902018    | Plunger spring   | 1         |
| -37      | 932029    | Foot change inside cover                                 | 1         |
| -38      | 932030    | Inside cover gasket                                      | 1         |
| -39      | (42)0510  | Screw  | 6         |
| -40      | (63)05013 | Spring washer  | 6         |
| -41      | 942030    | Foot change lever  | 1         |
| -42      | 942032    | Foot change lever rubber                                 | 1         |
| -43      | (10)0622  | Bolt   | 1         |
| -44      | (63)06015 | Spring washer  | 1         |
| -45      | (46)0670  | Screw  | 1         |
| -46      | (46)0660  | Screw  | 2         |
| -47      | 921500    | Clutch side cover ass'y (48/52)                          | 1         |
| -48      | 921501    | Clutch side cover  | 1         |
| -49      | 901503    | Clutch lever   | 1         |
| -50      | 901502    | Clutch lever O ring                                      | 1         |
| -51      | 901504    | Clutch lever rivet                                       | 1         |
| -52      | 901506    | Kick stop rubber   | 1         |
| -53      | 901507    | Clutch pressure piece                                    | 1         |
| -54      | 901508    | Clutch side cover gasket                                 | 1         |
| -55      | 921510    | Oil gage   | 1         |
| -56      | 901511    | Rubber gasket  | 1         |
| -57      | (46)0660  | Screw  | 3         |
| -58      | (46)0640  | Screw  | 1         |
| -59      | *811512   | Clutch cable adjuster                                    | 1         |
| -60      | 932031    | Inside cover dust seal                                   | 1         |
| -61      | *922510   | Engine complete overhaul gasket set (A-4,8,9,54,F-36,40) | 1         |

\* Optional parts

# A



| Fig. No. | Part No.    | Part Name                               | Unit Q'ty |
|----------|-------------|---|-----------|
| B - 1    | 921001A     | Crank case ass'y (L & R)                | 1         |
| - 2      | 901011      | Main shaft bushing                      | 1         |
| - 3      | 901004      | Counter shaft bushing                   | 1         |
| - 4      | (46)0640    | Screw                                   | 3         |
| - 5      | (46)0645    | Screw                                   | 8         |
| - 6      | 551008      | Crank case alignment dowel (large)      | 1         |
| - 7      | 901009      | Crank case alignment dowel (small)      | 1         |
| - 8      | BB6204      | Ball bearing (#6204)                    | 3         |
| - 9      | 901010      | Crank shaft oil seal (L)                | 1         |
| -10      | 901003      | Crank shaft oil seal (R)                | 1         |
| -11      | (91)470175  | Crank shaft thrust snap ring            | 1         |
| -12      | BB6203      | Ball bearing (#6203)                    | 1         |
| -13      | (91) 400175 | Main shaft snap ring                    | 1         |
| -14      | 901012      | Counter shaft oil seal                  | 1         |
| -15      | (10)0812    | Drain plug                              | 1         |
| -16      | 901020      | Drain plug gasket                       | 1         |
| -17      | 901002      | Cylinder stud bolt (M7)                 | 4         |
| -18      | 901013A     | Breather                                | 1         |
| -19      | 912700R     | Crank shaft ass'y (20/22,24/26)         | 1         |
| -20      | 912701      | Crank shaft (magneto side)              | 1         |
| -21      | 912702      | Crank shaft (clutch side)               | 1         |
| -22      | 912710R     | Connecting rod                          | 1         |
| -23      | 912712R     | Needle bearing (small end)              | 1         |
| -24      | 902703      | Crank pin                               | 1         |
| -25      | 902709      | Needle bearing (large end)              | 1         |
| -26      | 902705      | Crank pin thrust washer                 | 2         |
| -27      | 902714      | Crank shaft washer (L)                  | 1         |
| -28      | 902713      | Crank shaft key                         | 1         |
| -29      | 903001      | Flywheel nut (M10)                      | 1         |
| -30      | (65)10009   | Tooth washer                            | 1         |
| -31      | 9201500     | Piston STD                              | 1         |
|          | * 9201501   | Piston (#10) over size                  |           |
|          | * 9201502   | Piston (#20) over size                  |           |
|          | * 9201503   | Piston (#30) over size                  |           |
|          | * 9201504   | Piston (#40) over size                  |           |
| - 32     | 9202500     | Piston ring No. 1 STD                   | 1         |
|          | * 9202501   | Piston ring No. 1 (#10) over size       |           |
|          | * 9202502   | Piston ring No. 1 (#20) over size       |           |
|          | * 9202503   | Piston ring No. 1 (#30) over size       |           |
|          | * 9202504   | Piston ring No. 1 (#40) over size       |           |
| - 33     | 9203500     | Piston ring No. 2 STD                   | 1         |
|          | * 9203501   | Piston ring No. 2 (#10) over size       |           |
|          | * 9203502   | Piston ring No. 2 (#20) over size       |           |
|          | * 9203503   | Piston ring No. 2 (#30) over size       |           |
|          | * 9203504   | Piston ring No. 2 (#40) over size       |           |
| - 34     | 922715      | Expander ring                           | 1         |
| - 35     | 922707      | Piston pin                              | 1         |
| - 36     | 902708      | Piston pin snap ring                    | 2         |
| - 37     | 904020      | Clutch disc                             | 1         |
| - 38     | 90402502    | Clutch disc spacer 0.2t                 | 1         |
|          | 90402503    | Clutch disc spacer 0.3t                 | 1         |
|          | 90402505    | Clutch disc spacer 0.5t                 | 1         |
| - 39     | 904014      | Crank shaft nut (left hand thread, M12) | 1         |
| - 40     | 904013      | Crank shaft lock washer                 | 1         |
| - 41     | 924000A     | Clutch ass'y (42/53)                    | 1         |
| - 42     | 934008      | Clutch cover                            | 1         |
| - 43     | 934011      | Clutch spring                           | 7         |
| - 44     | 934017      | Clutch inner spring                     | 7         |
| - 45     | 924012A     | Clutch hub                              | 1         |
| - 46     | 904015      | Clutch thrust washer                    | 1         |
| - 47     | 934006      | Clutch friction disc                    | 4         |
| - 48     | 934007      | Clutch plate                            | 3         |
| - 49     | 934004      | Clutch cage                             | 1         |
| - 50     | 924005      | Clutch cage cover                       | 1         |
| - 51     | 904009      | Clutch screw (M5)                       | 7         |
| - 52     | 924010      | Clutch safety wire (0.85)               | 1         |
| - 53     | 914002R     | Clutch rotor gear                       | 1         |
| - 54     | 924001      | Clutch pinion gear (23T, helical)       | 1         |
| - 55     | 904003      | Clutch pinion bushing                   | 1         |
| - 56     | 904016      | Clutch thrust washer inner              | 1         |

\* Optional parts